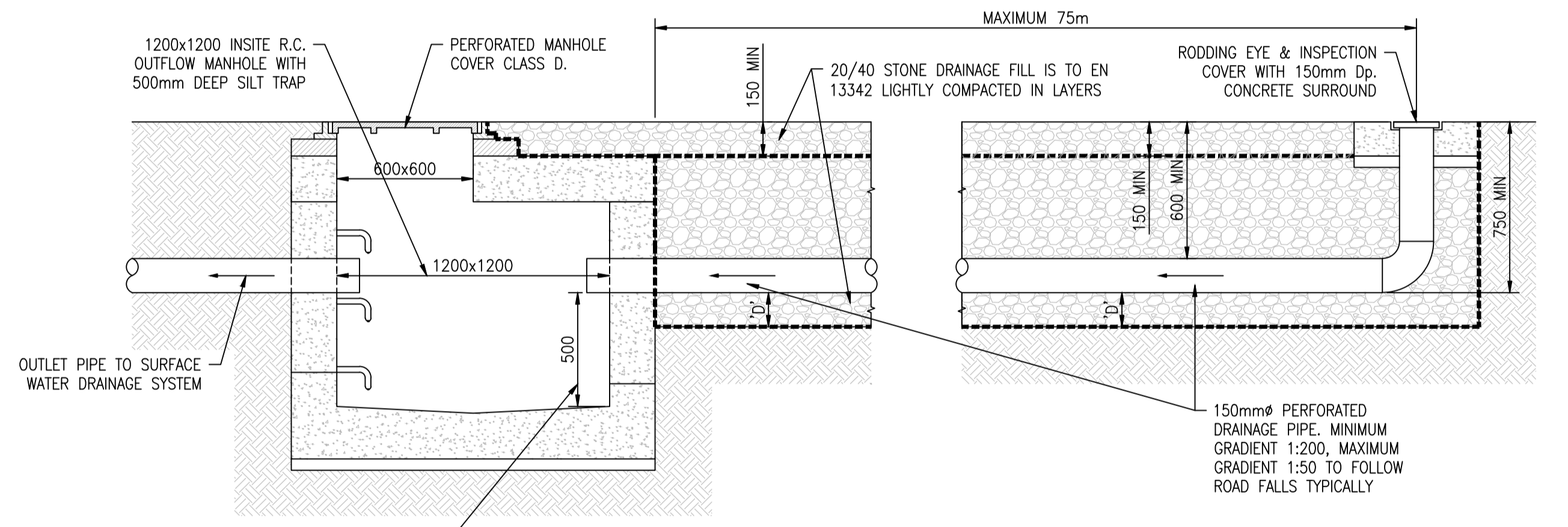
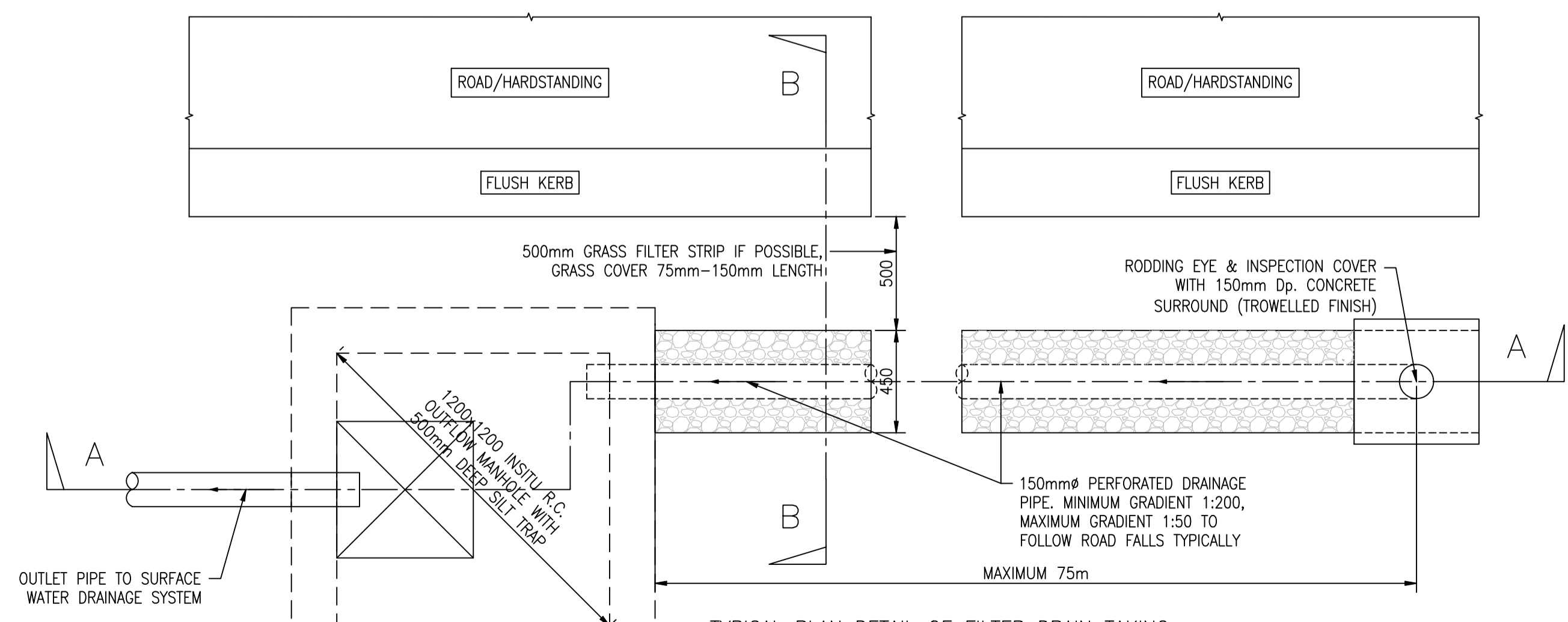


FILTER DRAIN TAKING RUNOFF FROM ROAD/HANDSTANDING AREA.
TYPICAL CROSS SECTION
SCALE 1:20



FILTER DRAIN TAKING RUNOFF FROM ROAD/HANDSTANDING AREA.
TYPICAL LONGITUDINAL SECTION
SCALE 1:20



TYPICAL PLAN DETAIL OF FILTER DRAIN TAKING RUNOFF FROM ROAD/HANDSTANDING AREA.
SCALE 1:20

0	09/25	AH	Issue 0
REVISION	DATE	BY	DETAILS

THIS DRAWING IS COPYRIGHT
Dimensions are in mm unless otherwise stated.
Figured dimensions take precedence over stated measurements. All dimensions to be checked in situ prior to installation or construction. All works to be in accordance with Current Building Regulations and Codes of Best Practice and are responsible for ensuring compliance with Building Regulations within their scope. Where this drawing is open to public inspection pursuant to a statutory requirement, or in a statutory register, noting is subject to the requirements of Section 10 of the Copyright and Related Rights Act 2000.

Drawn By	Checked By	Approved By	Issue Date	Scale	Revision Code	Acceptance Code	Rev	Stage
AH	CC	CC	29/11/24	Shown @ A1	P03	S	0	Planning

CroCon Engineers Ltd.
Consulting Engineers
Unit 1, Building 6500, Avenue 6000,
Cork Airport Business Park, Cork
E: info@crocon.ie Tel: 021 431 0709

Client	Project	Drawn	Scale	Revision Code	Acceptance Code	Rev	Stage
22240 - CRO - X - XXX - DR - CE - 03905	Rockspring Properties Ltd Baneshane, Midleton LRD	AH	1:20	P03	S	0	Planning