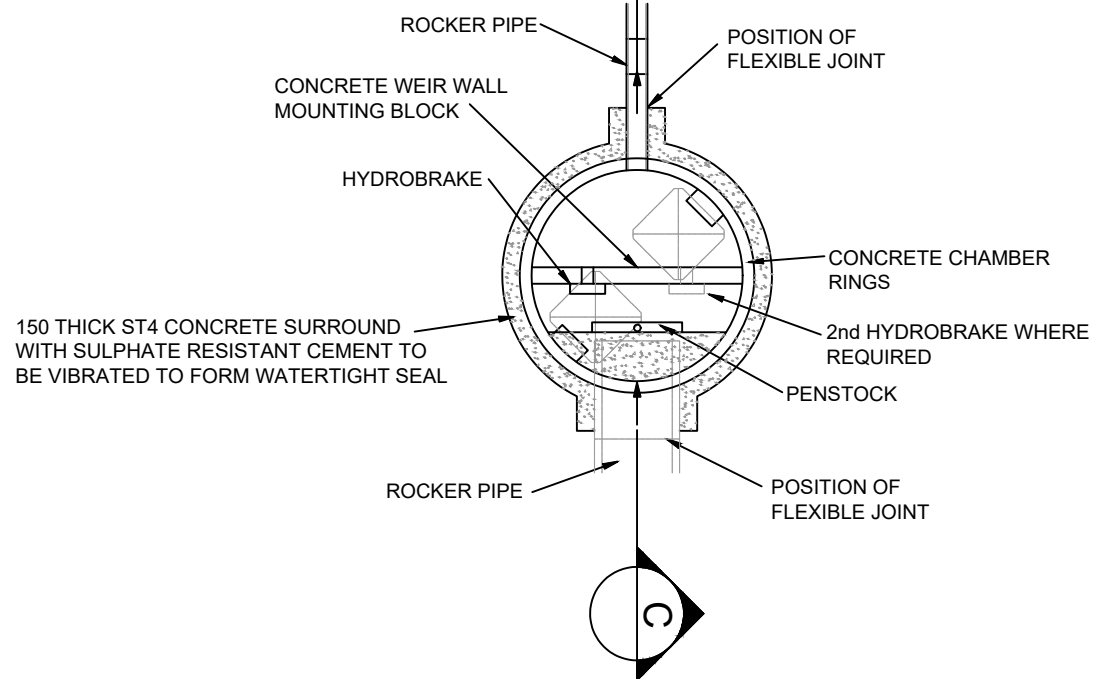
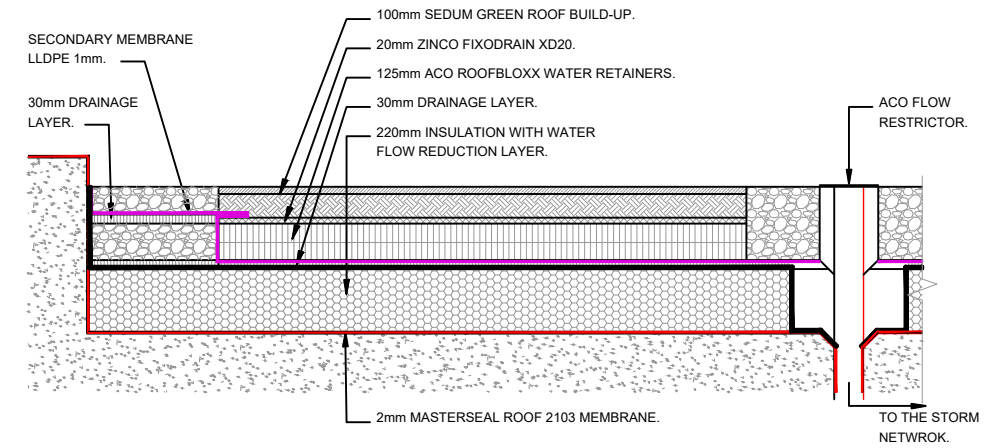


1 2 3 4 5 6 7 8

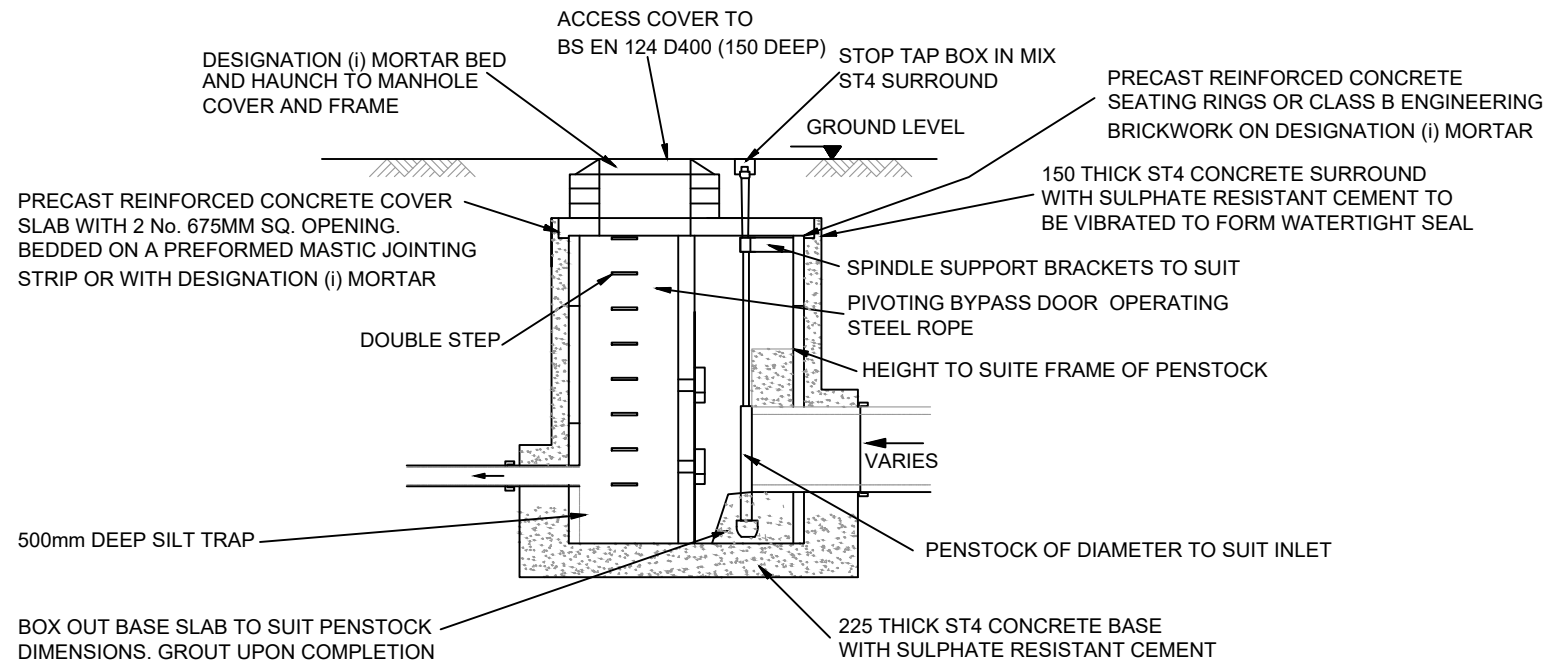
A
B
C
D
E
F



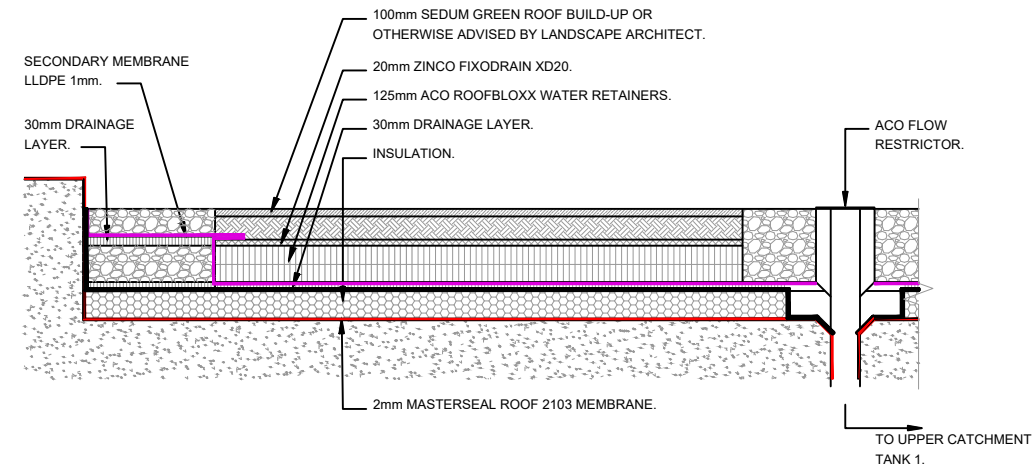
PLAN
TYPICAL HYDROBRAKE MANHOLE
Scale 1:50



BENTON INVERTED GREEN ROOF WATERPROOFING SYSTEM WITH BLUE ROOF RETENTION
SCALE 1:20



TYPICAL SECTION C-C
TYPICAL HYDROBRAKE MANHOLE
Scale 1:50



BENTON INVERTED GREEN ROOF WATERPROOFING SYSTEM WITH BLUE ROOF RETENTION CENTRAL LAWN
SCALE 1:20

REVISION	DATE	BY	DETAILS
0	09/25	AH	Issue 0

THIS DRAWING IS COPYRIGHT <small>Dimensions are in mm except where indicated. Figured dimensions take precedence over scaled measurements. All dimensions to be checked on site prior to fabrication or construction. All works to be in accordance with Current Building Regulations and Codes. (Sub)Contractors are responsible for ensuring compliance with Building Regulations within their trade. Where this drawing is open to public inspection pursuant to a statutory requirement, or is on a statutory register, copying is subject to the requirements of Section 74 of the Copyright and Related Rights Act, 2000</small>									
Drawn By	Chkd By	Approved By	DWG Date	Scale	Purpose Code	Acceptance Code	Rev.	Stage	
AH	CC	--	23/08/23	NTS @A3	P03	S	0	Planning	
CroCon Engineers Ltd. Consulting Engineers Unit 1, Building 6500, Avenue 6000, Cork Airport Business Park, Cork E: info@crocon.ie Tel: (021) 431 0709				Project Originator Spatial Zone Level Info Type Role Number 22240 - CRO - X - XXX - DR - CE - 03811					
Client: Rockspring Properties Ltd Project: Baneshane, Middleton LRD Title: Standard Detail: Hydrobrake Manhole & Green/Blue Roof Systems									

1 2 3 4 5 6 7 8