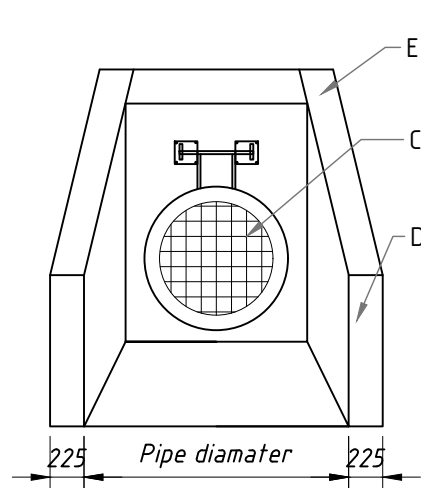
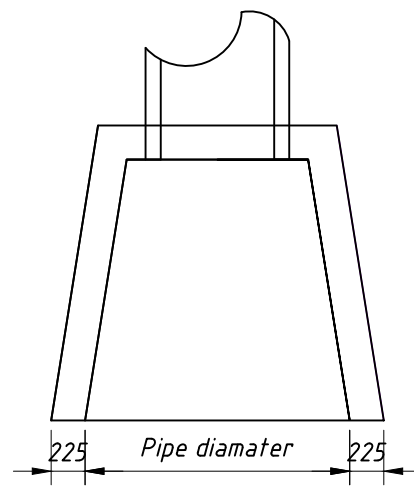


SECTION



ELEVATION



PLAN

Schedule of Minimum Dimensions

Pipe Inner Ø	C	D	E	F
≤ 300	Pipe Outer Ø + 300	1200	400	500
301 – 500	Pipe Outer Ø + 300	1250	500	600
501 – 900	Pipe Outer Ø + 300	1550	600	700
901 – 1200	Pipe Outer Ø + 300	1850	800	800
1201 – 1500	Pipe Outer Ø + 300	2150	900	900
1501 – 1800	Pipe Outer Ø + 300	2350	1000	1000

- The dimensions contained in the above table are based on the following constraints:
- Backfill material is free draining.
 - There are no live load effects on the headwall.
 - Characteristic value of internal friction (ϕ) of the backfill material = 37.5°.
 - 600mm cover to the pipe at the rear of the headwall, with a 200mm wide flat zone before the commencement of the main earthworks slope.
 - Slope of fill measured from the rear face of the wingwalls downwards and from bed level upwards are both to be 1:1.

REVISION	DATE	BY	DETAILS
0	09/25	AH	Planning

THIS DRAWING IS COPYRIGHT
Dimensions are in mm except where indicated. Figured dimensions take precedence over scaled measurements. All dimensions to be checked on site prior to fabrication or construction. All works to be in accordance with Current Building Regulations and Codes. (Sub)Contractors are responsible for ensuring compliance with Building Regulations within their trade. Where this drawing is open to public inspection pursuant to a statutory requirement, or is on a statutory register, copying is subject to the requirements of Section 74 of the Copyright and Related Rights Act, 2000.

Drawn By AH	Chkd By CC	Approved By CC	DWG Date 19/09/25	Scale NTS	Purpose Code P03	Acceptance Code S	Rev. 0	Stage Planning														
CroCon Engineers Ltd. Consulting Engineers Unit 1, Building 6500, Avenue 6000, Cork Airport Business Park, Cork E: info@crocon.ie Tel: (021) 431 0709			<table border="1"> <tr> <td>Project</td> <td>Originator</td> <td>Spatial Zone</td> <td>Level</td> <td>Info Type</td> <td>Role</td> <td>Number</td> </tr> <tr> <td>22240</td> <td>CRO</td> <td>X</td> <td>XXX</td> <td>DR</td> <td>CE</td> <td>03214</td> </tr> </table>						Project	Originator	Spatial Zone	Level	Info Type	Role	Number	22240	CRO	X	XXX	DR	CE	03214
Project	Originator	Spatial Zone	Level	Info Type	Role	Number																
22240	CRO	X	XXX	DR	CE	03214																
Client Rockspring Properties Ltd			Project Baneshane, Midleton LRD																			
Title Typical Headwall Detail																						